

Angular Contact Ball Bearings

Bearing No. : **NACHI 7234CDF**

■ Bearing Type

■ Clearance

■ Tolerance Class

Dimensions

$d = 170$
0
-0.025

$D = 310$
0
-0.035

$B = 52$
0
0.000

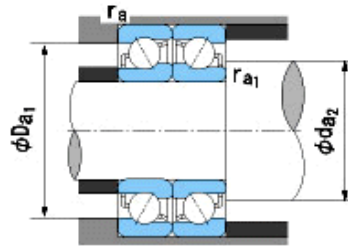
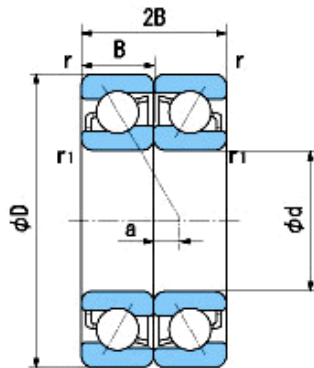
$r = 4 \sim 6.5$
(Radial Direction)

$r = 4 \sim 9$
(Axial Direction)

$r_1 = 1.5 \sim 3$
(Radial Direction)

$r_1 = 1.5 \sim 5$
(Axial Direction)

$a = 2.2$



Dimensions

$da_1(\min) = 188$
 $da_2(\min) = 179$
 $Da_1(\max) = 292$
 $Da_2(\max) = 301$
 $ra(\max) = 3$
 $ra_1(\max) = 1.5$
Mass = 34.8 kg

Basic Dynamic Load Rating C_r : **485,000** N

Basic Static Load Rating C_o : **725,000** N

Limiting Speed ;

Grease Lubrication : **2,600** min^{-1}

Oil Lubrication : **3,700** min^{-1}

| | INNER RING | OUTER RING |
|--------------------------------|--------------|--------------|
| O.D.Surface Runout with Side : | | - |
| Axial Runout with Bore : | - | - |
| Axial Runout with Raceway : | - | - |
| Width Variation : | 0.030 | 0.030 |
| Radial Runout : | 0.030 | 0.060 |